

PCB Terminal Block ▶ 745 Series

CAGE CLAMP® ▶ Actuation type: Operating tool ▶ 4 mm² ▶ Number of jumper slots: 1 ▶ Modular terminal block

Pin spacing: 5 mm (0.197 inch)

Pin spacing: 7.5 mm (0.295 inch)

Pin spacing: 10 mm (0.394 inch)

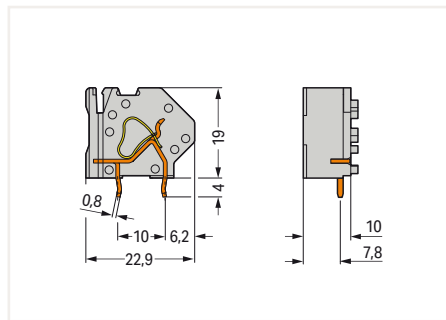
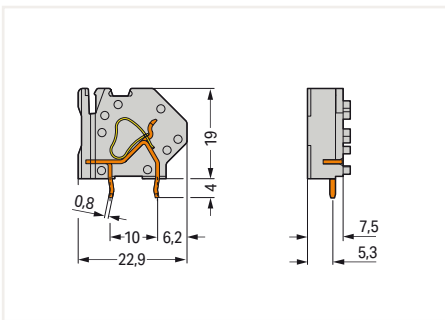
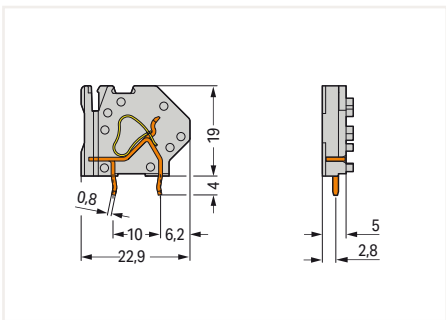
1



Color	Item No.	PU (SPU)
● gray	745-801	200 (50)
● blue	745-804	200 (50)
● light gray	745-803	200 (50)
● green-yellow	745-807	200 (50)
● light green	745-808	200 (50)

Color	Item No.	PU (SPU)
● gray	745-811	200 (50)
● blue	745-814	200 (50)
● light gray	745-813	200 (50)
● green-yellow	745-817	200 (50)
● light green	745-818	200 (50)

Color	Item No.	PU (SPU)
● gray	745-821	200 (50)
● blue	745-824	200 (50)
● light gray	745-823	200 (50)
● green-yellow	745-827	200 (50)
● light green	745-828	200 (50)



Accessories; for all products on this page



End plate; 1.5 mm; snap-on type		
Color	Item No.	PU (SPU)
● gray	745-100	1000 (100)

End plate; 7.9 mm; Screw mounting		
Color	Item No.	PU (SPU)
● gray	745-140	500 (100)

End plate; 7.3 mm; Screw mounting		
Color	Item No.	PU (SPU)
● gray	745-145	500 (100)

PU = Packaging Unit; SPU = Subpackaging Unit; Dimensions in mm

Other variants can be requested via the WAGO sales department or, if necessary, configured at <https://configurator.wago.com/>:

- Versions for Ex e II and Ex i
- Other colors